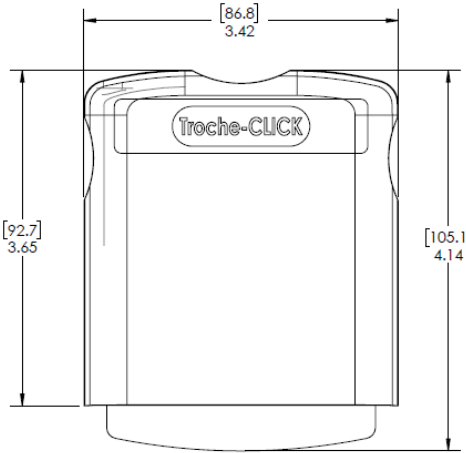




SKU#: \_\_\_\_\_  
 LOT#: \_\_\_\_\_  
 MFG. DATE: \_\_\_\_\_

*Place label here.*



<b>Topi-CLICK® Troche-CLICK™</b>	Package Contents:
	25 - Troche Molds
	Assemblies: 25 - Trays 25 - Covers

## Topi-CLICK® Troche-CLICK™ 1.0 gram per Cavity

1	Capacity	30 x 1.0 gram PEG 1450 (0.89mL) per cell	
2	Dosing	1.0 gram PEG 1450 (0.89mL) per cell	
3	Materials	Component	All FDA 21 CFR 177 Compliant
		Tray	Polypropylene
		Cover	Polypropylene
		Colorants	All Color Parts
		UV Inhibitors	Tray Only
4	Storage	General Warehouse	35 - 160 F (2 - 71C)
5	Shelf Life	5 Years	
6	Other & Usage	See Website & Contact <a href="mailto:info.TopiCLICK@teamtech.com">info.TopiCLICK@teamtech.com</a>	
7	Label Size	Cover	3.0" W x 2.0" H
		Tray	0.5" H x 1.5" W

